

# ANT-5G-ASM-03 Series

GSM/UMTS/LTE/5G NR dipole antennas with SMA (male) connector



## Features and Benefits

- Supports all global LTE bands
- Lightweight
- Tilt and swivel design
- Flexible installation
- SMA connector (male) supported

## Introduction

The ANT-5G-ASM-03 Series is an omnidirectional lightweight compact antenna suitable for GSM, UMTS, LTE, and 5G NR bands. The antenna provides a gain of 3 dBi and is designed to operate in temperatures ranging from -40 to 85°C.

## Specifications

### Antenna Characteristics

Frequency	617 to 960 MHz 1420 to 1561 MHz 1710 to 2170 MHz 2300 to 2690 MHz
Antenna Type	Omni-directional
Typical Antenna Gain	3.02 dBi @ 617 to 698 MHz (5G NR n71) 0.70 dBi @ 698 to 824 MHz (LTE 700) 0.63 dBi @ 824 to 960 MHz (GSM 850/900) 2.50 dBi @ 1420 to 1561 MHz (LTE Japan B74, 75, 76) 2.83 dBi @ 1710 to 1880 MHz (DCS) 2.91 dBi @ 1850 to 1990 MHz (PCS) 3.65 dBi @ 1920 to 2170 MHz (UMTS1) 3.67 dBi @ 2300 to 2690 MHz (LTE 2600)
Connector	SMA (male)
Impedance	50 ohms
Polarization	Vertical Linear
HPBW/Horizontal	360°
V.S.W.R.	< 5.85 @ 617 to 960 MHz < 2 @ 1420 to 1561 MHz < 3 @ 1710 to 2690 MHz

## Physical Characteristics

Weight	35.8 g (0.08 lb)
Length	157.5 mm (6.2 in)
Radome Color	Black
Radome Material	Plastic
Installation	Straight mount

## Environmental Limits

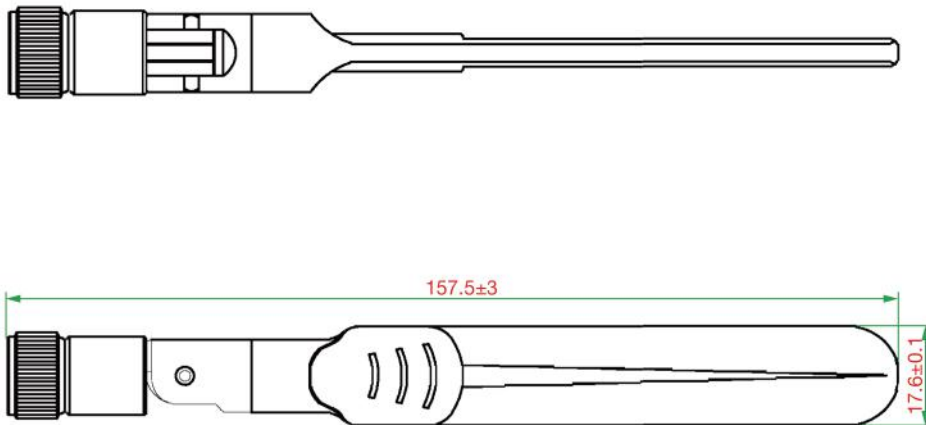
Operating Temperature	-40 to 85°C (-40 to 185°F)
Storage Temperature (package included)	-40 to 85°C (-40 to 185°F)
Ambient Relative Humidity	5 to 95% (30°C, non-condensing)

## Warranty

Warranty Period	1 year
Details	See <a href="http://www.moxa.com/warranty">www.moxa.com/warranty</a>

## Dimensions

Unit: mm



## Ordering Information

Model Name	Frequency	Antenna Type	Antenna Gain	Connector Type
ANT-5G-ASM-03	617 to 960 MHz, 1420 to 1561 MHz, 1710 to 2170 MHz, 2300 to 2690 MHz	Omnidirectional	3 dBi	SMA (male)

© Moxa Inc. All rights reserved. Updated May 23, 2023.

This document and any portion thereof may not be reproduced or used in any manner whatsoever without the express written permission of Moxa Inc. Product specifications subject to change without notice. Visit our website for the most up-to-date product information.